

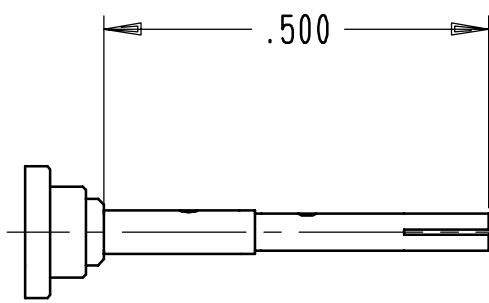
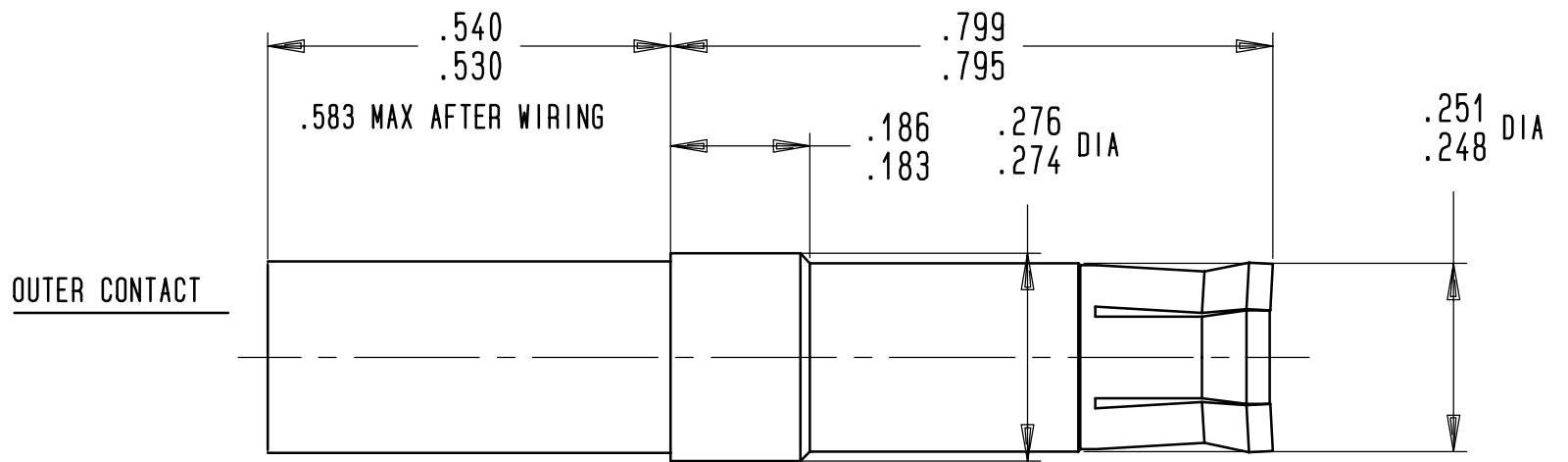


Series
DSX

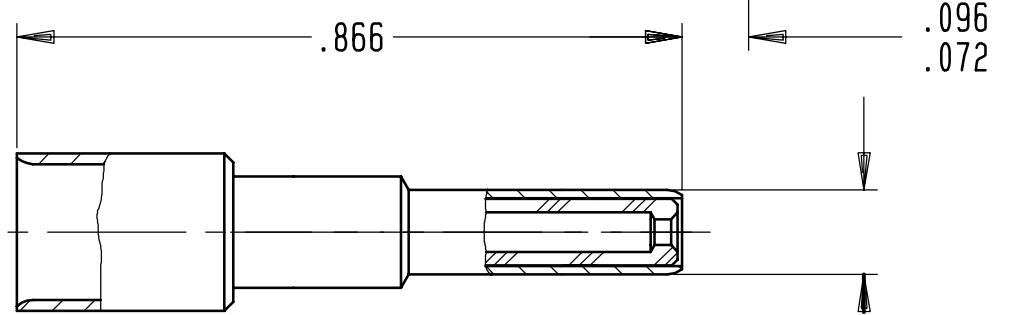
SIZE 9 TRIAXIAL SOCKET CONTACT FOR AXON RGX 179 CABLE
ENVIRONMENTAL 32C4

Issue:
Mar 12, 2003

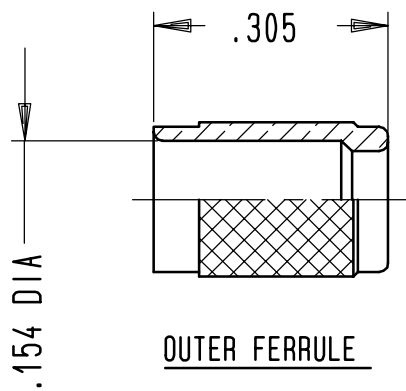
Page
1 / 1



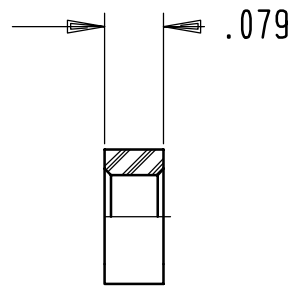
CENTER CONTACT SUB ASSEMBLY



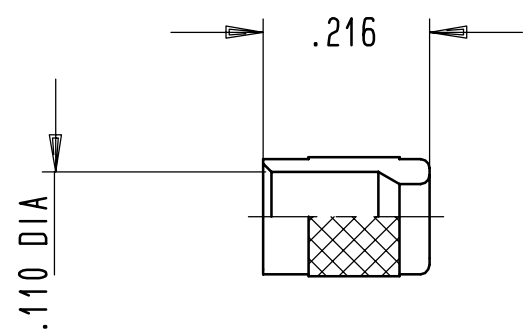
INTERMEDIATE CONTACT



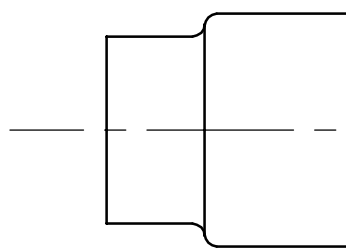
OUTER FERRULE



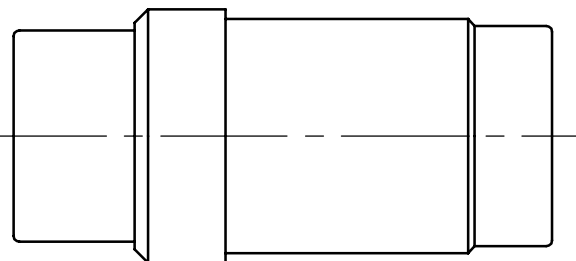
INSULATOR



INTERMEDIATE FERRULE



SEALING SLEEVE



SEALING BUSHING

MATERIAL AND FINISH

OUTER, INTERMEDIATE AND CENTER CONTACT: BERYLLIUM COPPER_GOLD OVER NICKEL UNDERPLATE
INSULATORS: TEFLON
FERRULES: BRASS.GOLD OVER NICKEL UNDERPLATE

WIRING INSTRUCTIONS: RP7228

ATTENTION: SLIDE OUTER SEALING SLEEVE AND SEALING BUSHING OVER THE CABLE BEFORE WIRING

This information is given as an indication. In the continual goal to improve our products, we reserve the right to make any modifications judged necessary.

4112-9610

CREATION				
PEN: M960400014A				
NOM: GOMBERT				
DATE: 19 MAR 96	Mar 12 03	Modification of sealing bushing.	L.Garcia	C.Lahoreau
APPR.: BOLTEAU	07 MAY 02	REDRAWN	COUTHON	MACARI
	Issue	Revisions	Name	Approved